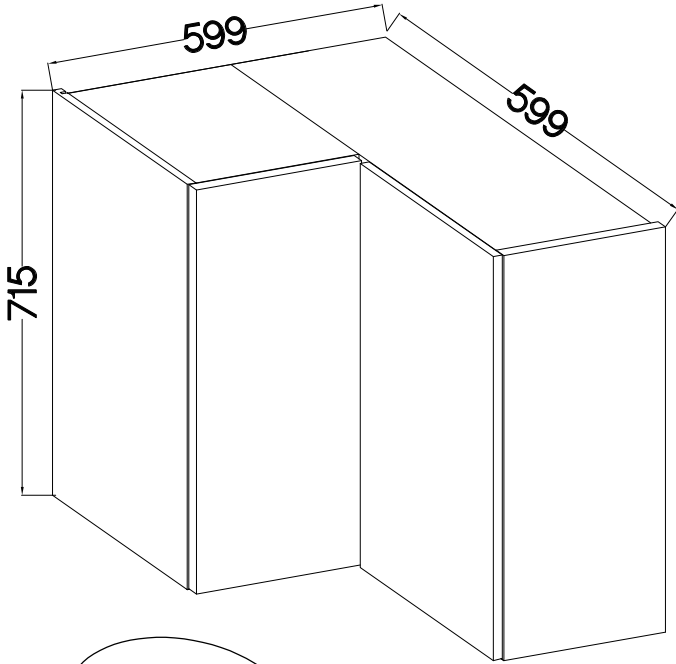
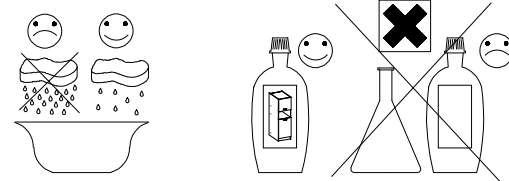


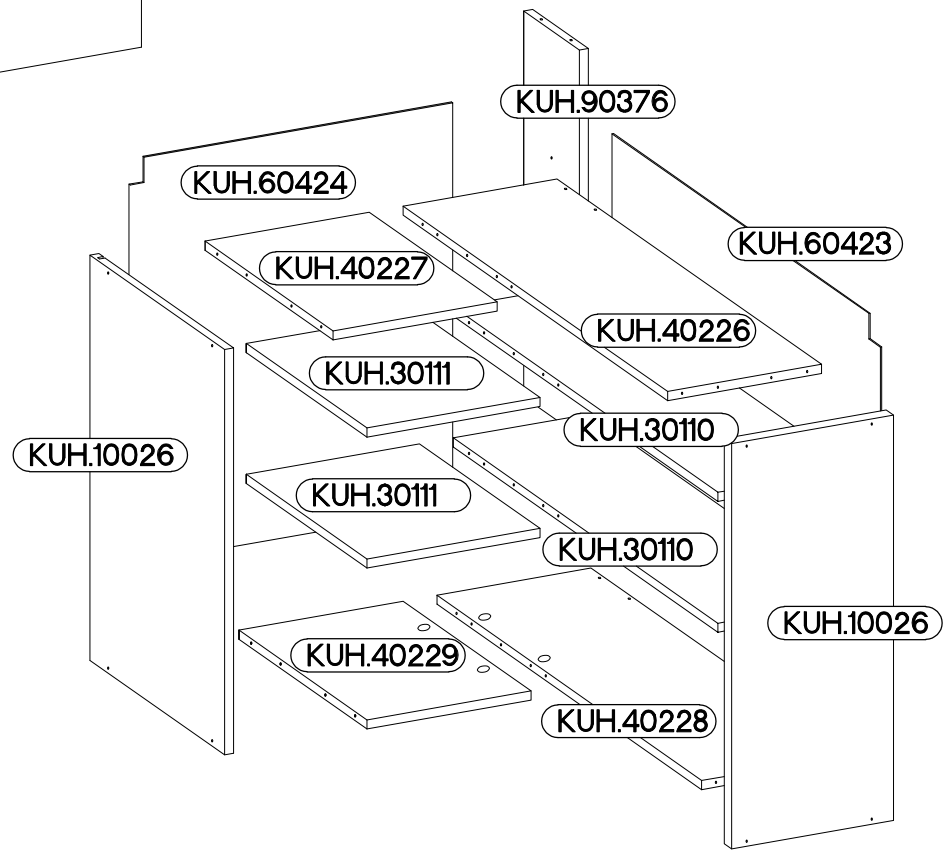
60x60 GN-72 (90°) 2F



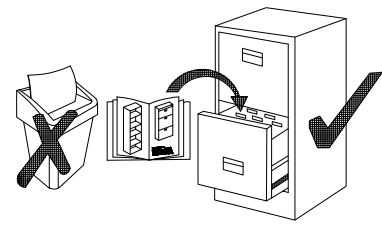
- KUH.30110
- KUH.30111
- KUH.40228
- KUH.40229



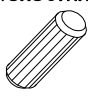
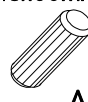


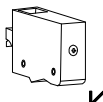

Ersatzteil Nummer	Dimension
KUH.10026 x2	715x290x16
KUH.30110 x2	570x244x16
KUH.30111 x2	310x260x16
KUH.40426	570x276x16
KUH.40427	294x276x16
KUH.40428	570x276x16
KUH.40429	294x276x16
KUH.60423	713x578x2,5
KUH.60424	713x578x2,5
KUH.90376	681x120x16

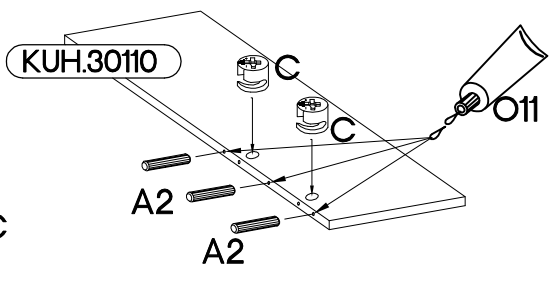
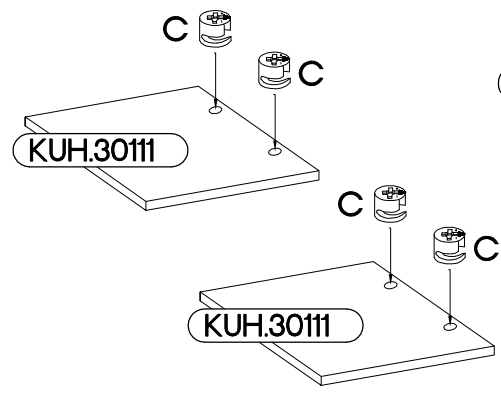
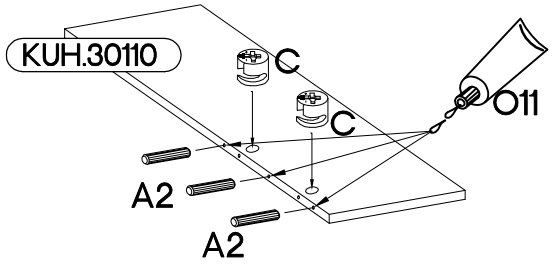
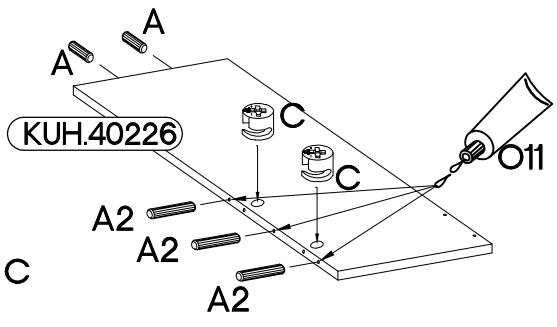
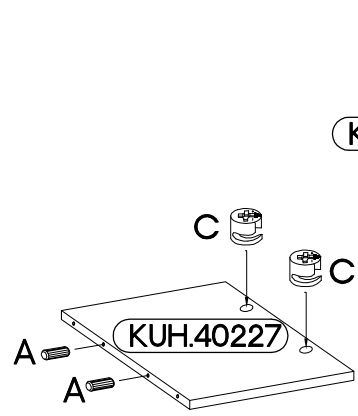
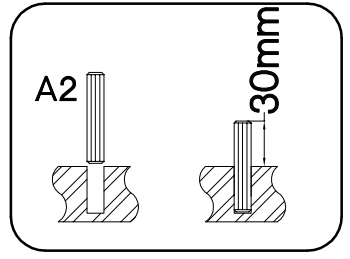
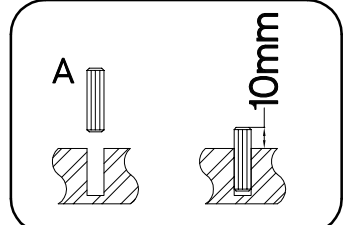
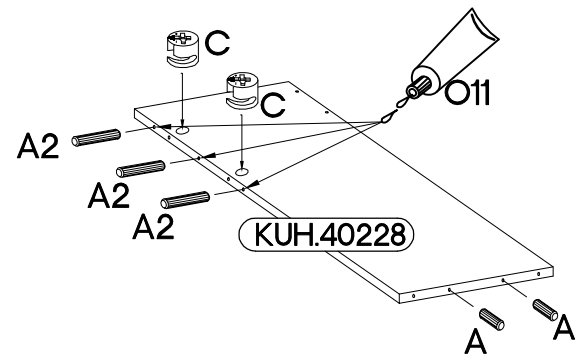
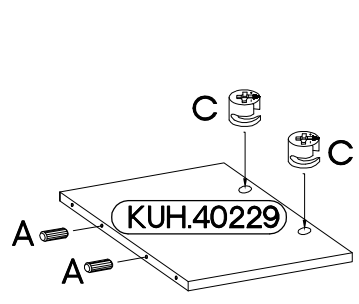
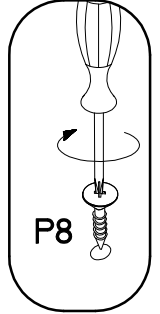
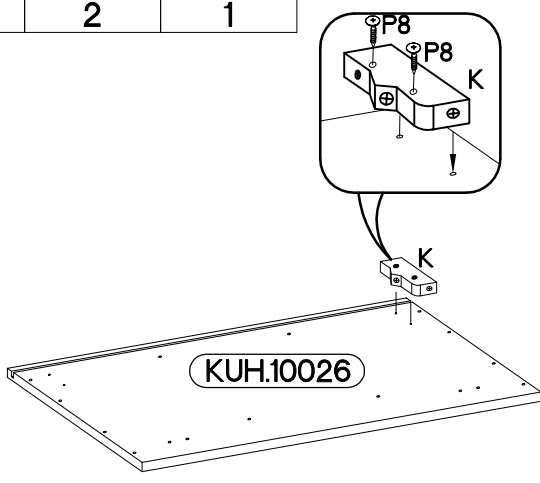
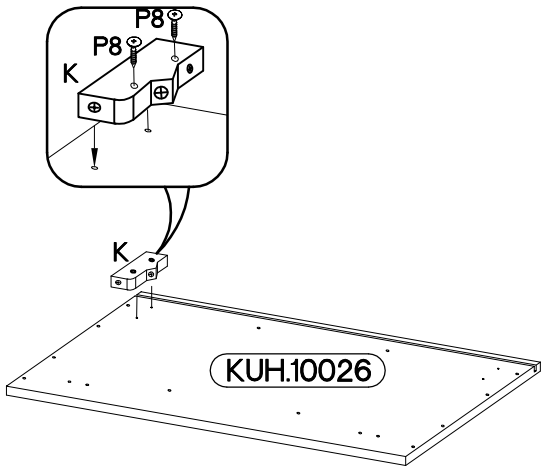
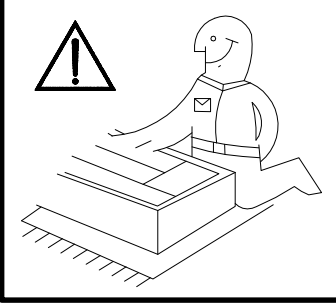


+8x30mm A	+8x60mm A2	6,4 x 50mm B	+15/12mm C	L=40mm D12		0,05 O11	+3.5x13mm P5
8	12	12	16	8	16	1	8
E1	+35/175 HG11	+5/19mm J			+3.0x16mm P11	+4.0x30mm P8	
12	4	10	2	1	30-35	4	





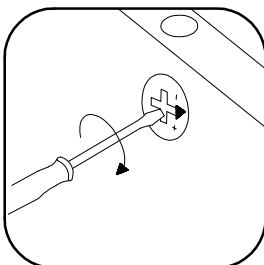
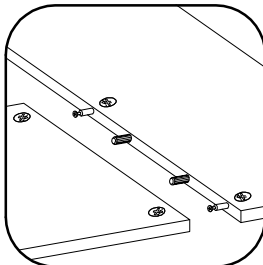
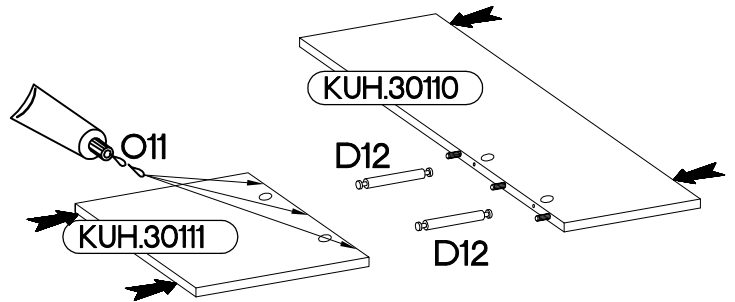
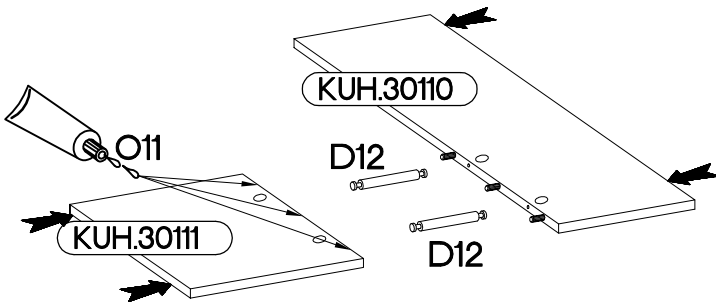
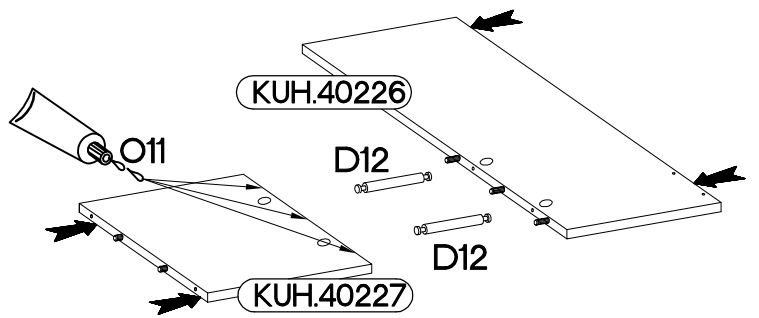
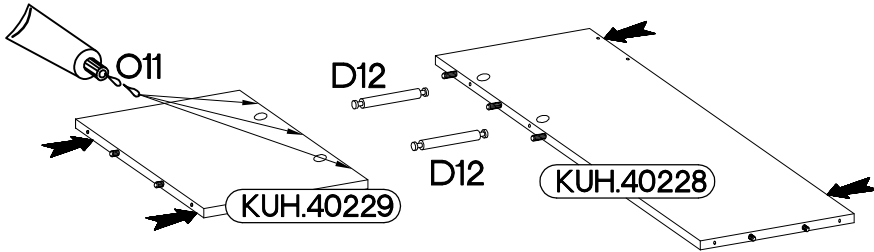
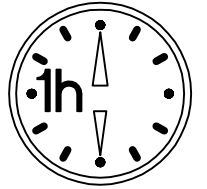
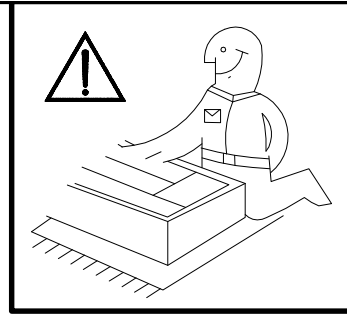
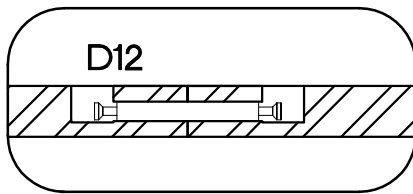
ISM-KUH-02000

$\pm 8 \times 30 \text{mm}$  A	$\pm 8 \times 60 \text{mm}$  A2	$\pm 15/12 \text{mm}$  C	$\pm 4.0 \times 30 \text{mm}$  P8	 K	0,05  O11
8	12	16	4	2	1






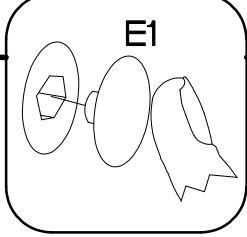
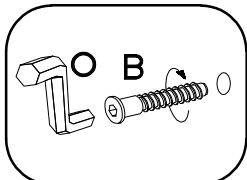
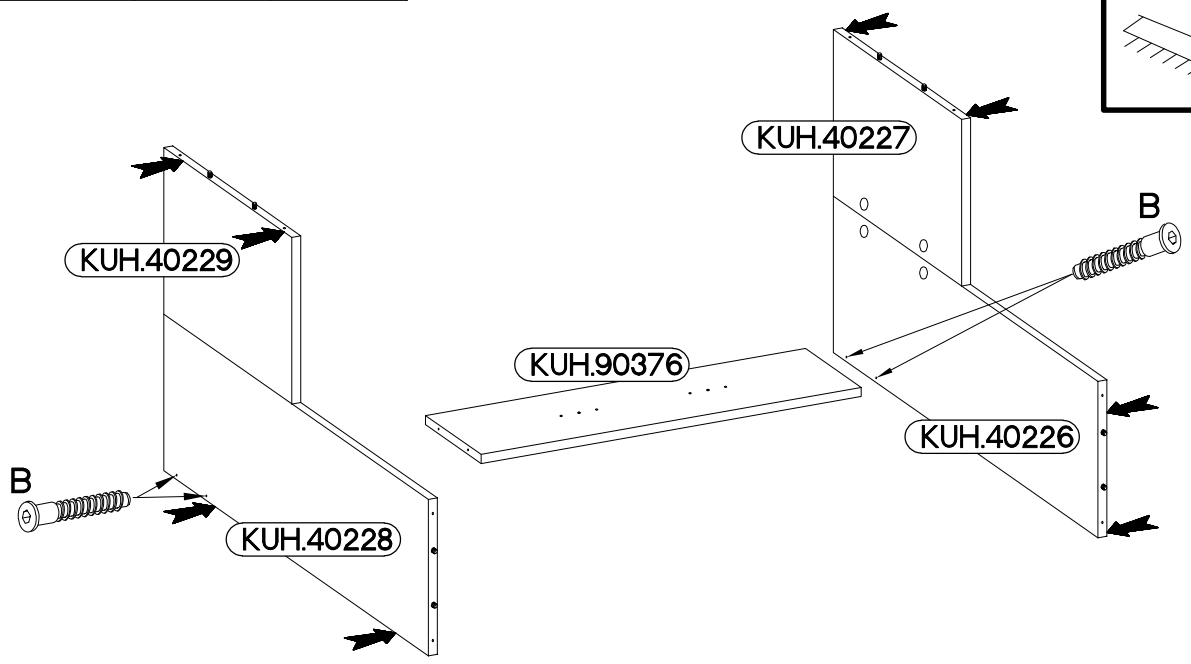
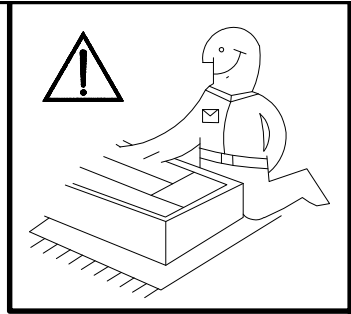
2

L=40mm 	0,05 
D12 8	O11 1

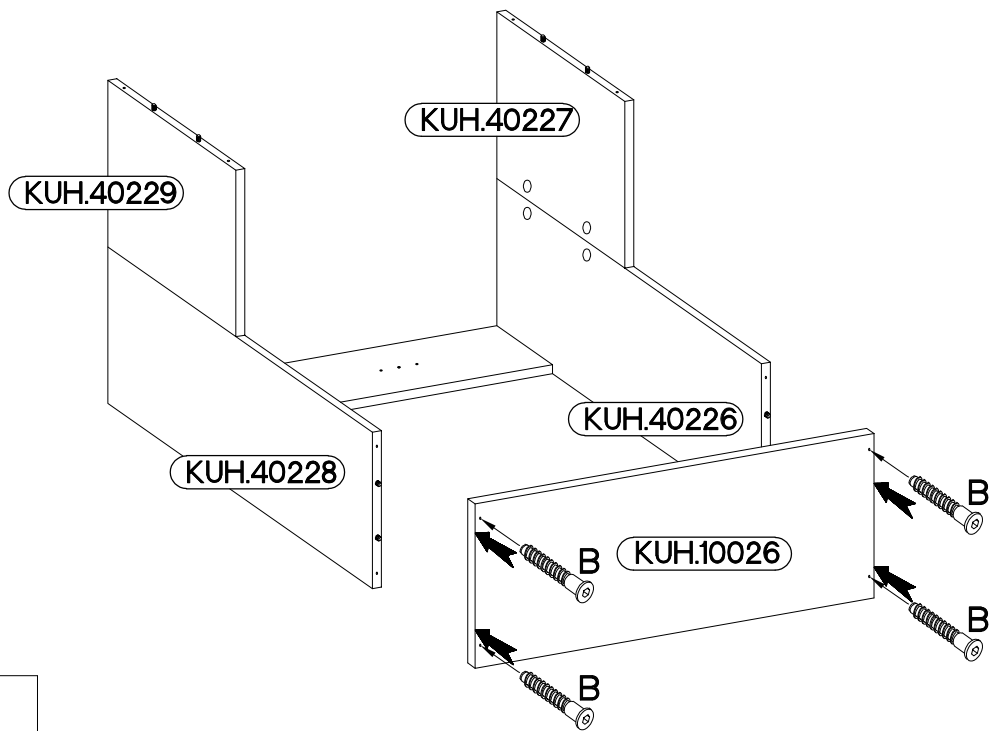



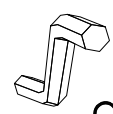

3

6,4 x 50mm		
		
B	O	E1
4	1	4



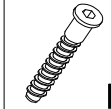
4



6,4 x 50mm		
		
B	O	E1
4	1	4

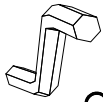
5

6.4 x 50mm



B

4



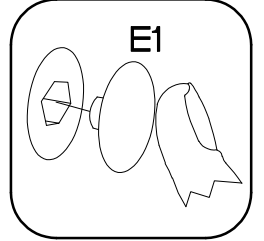
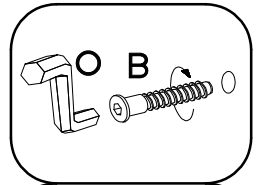
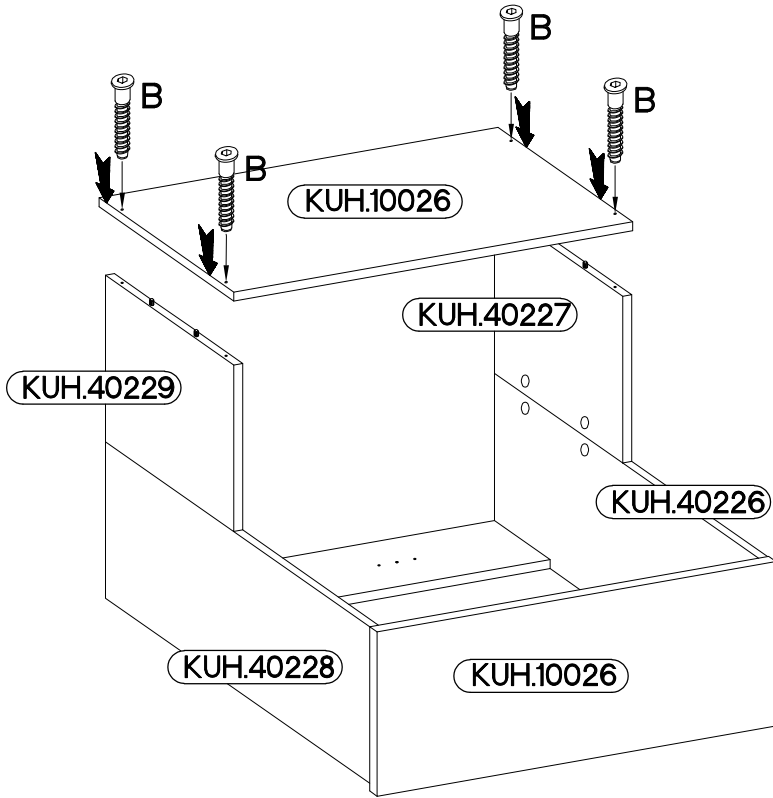
O

1



E1

4



6

±5/19mm



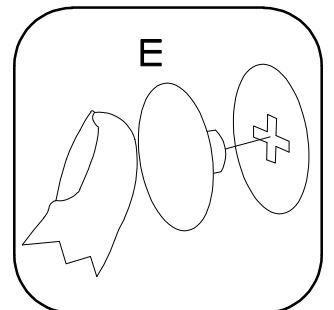
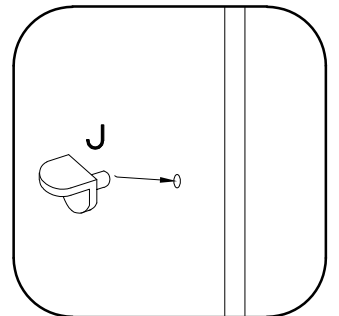
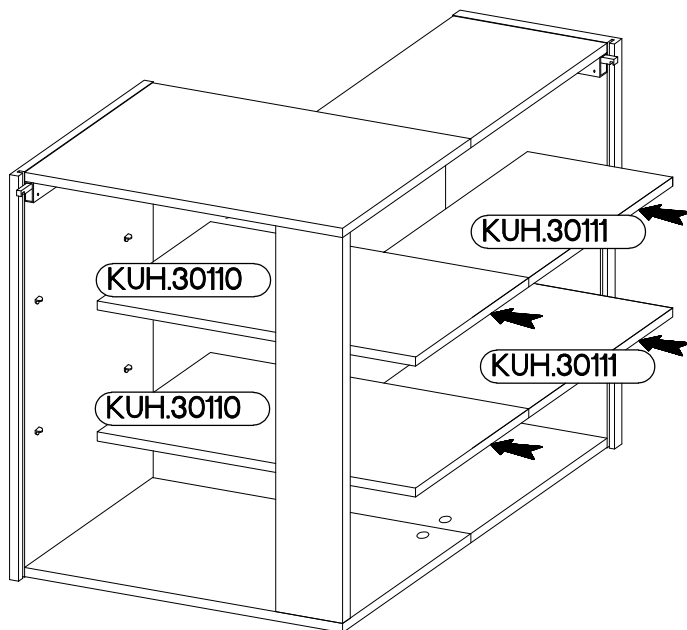
J

10




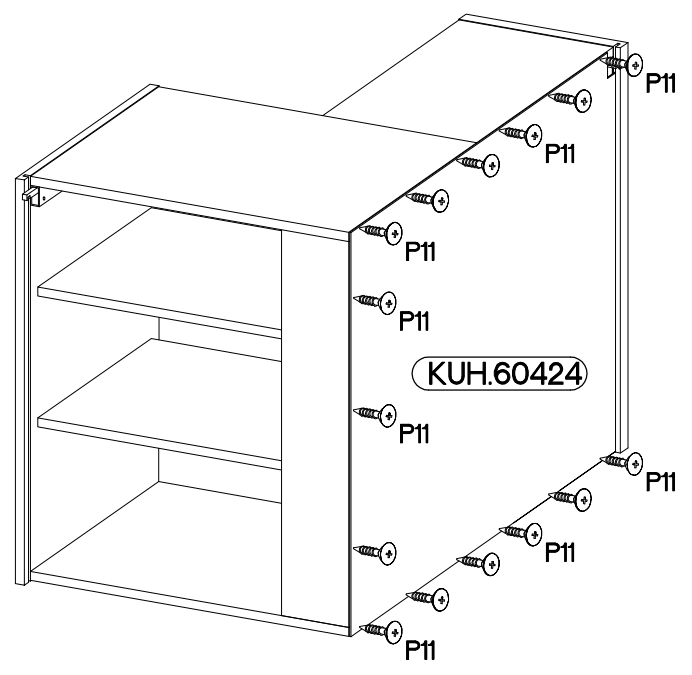
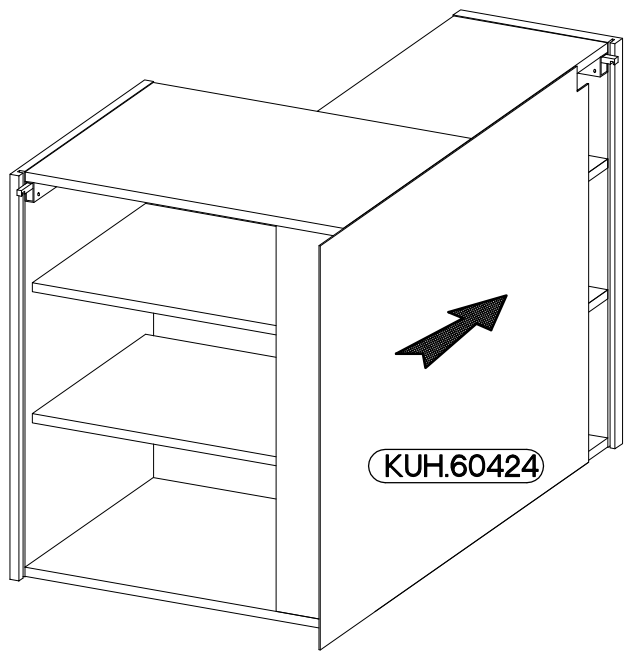
E

16




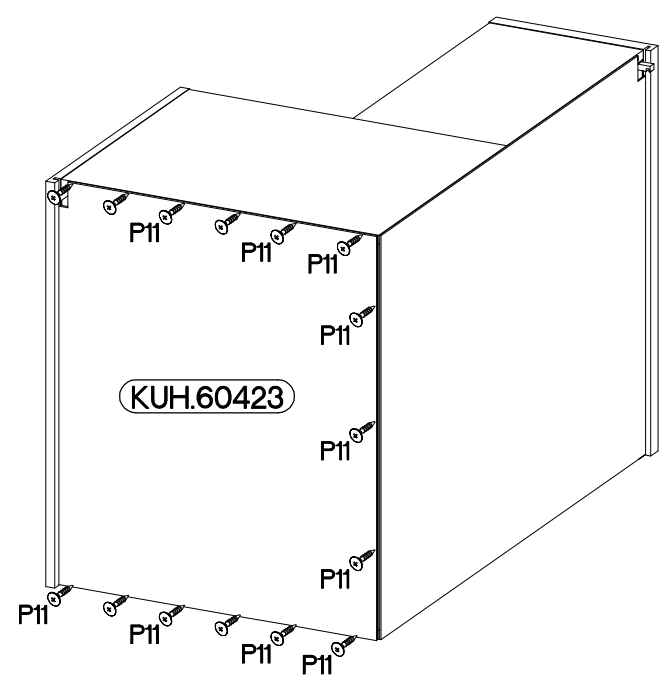
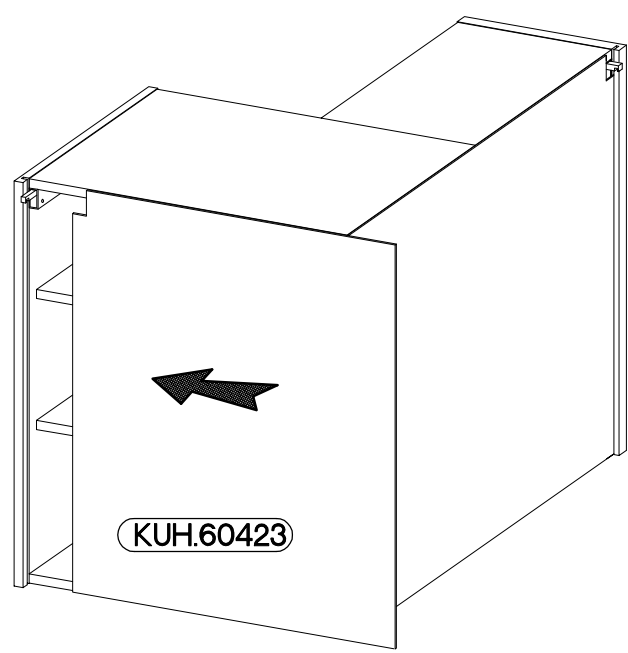
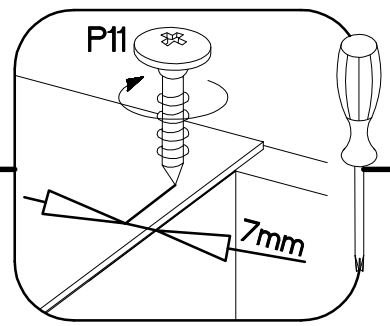
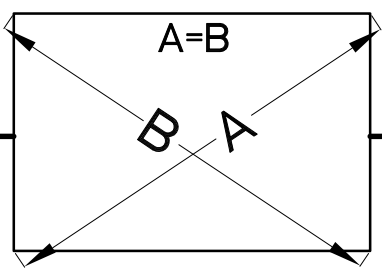
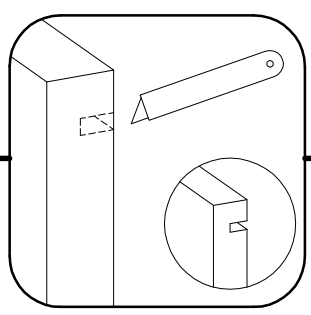
7

±3.0x16mm

 P11
 15

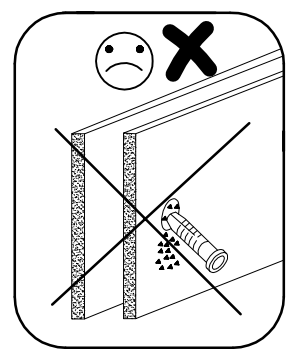
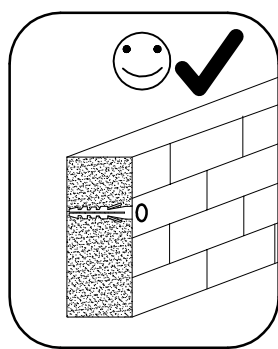
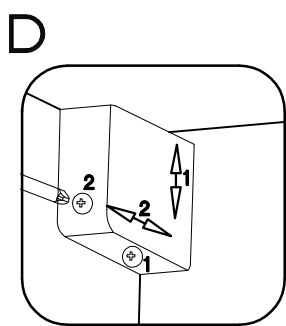
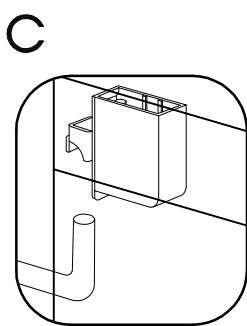
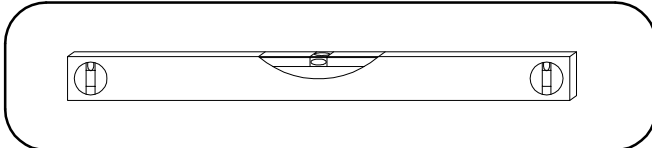
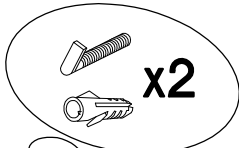
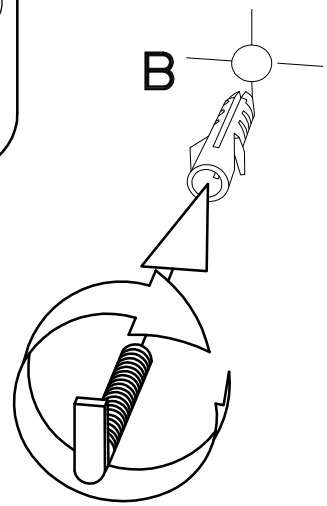
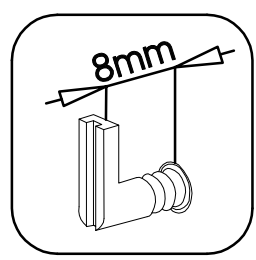
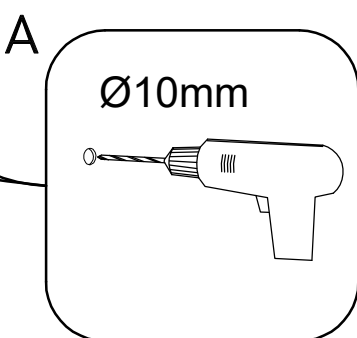
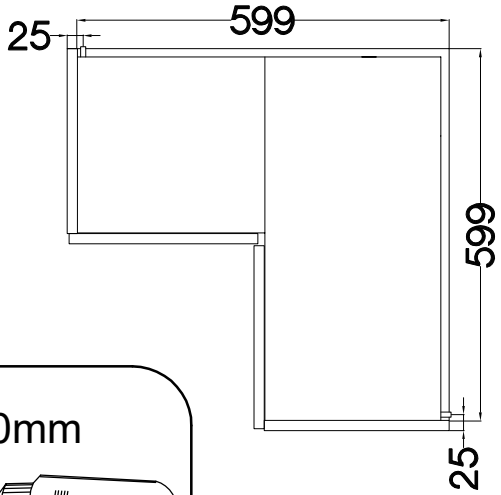
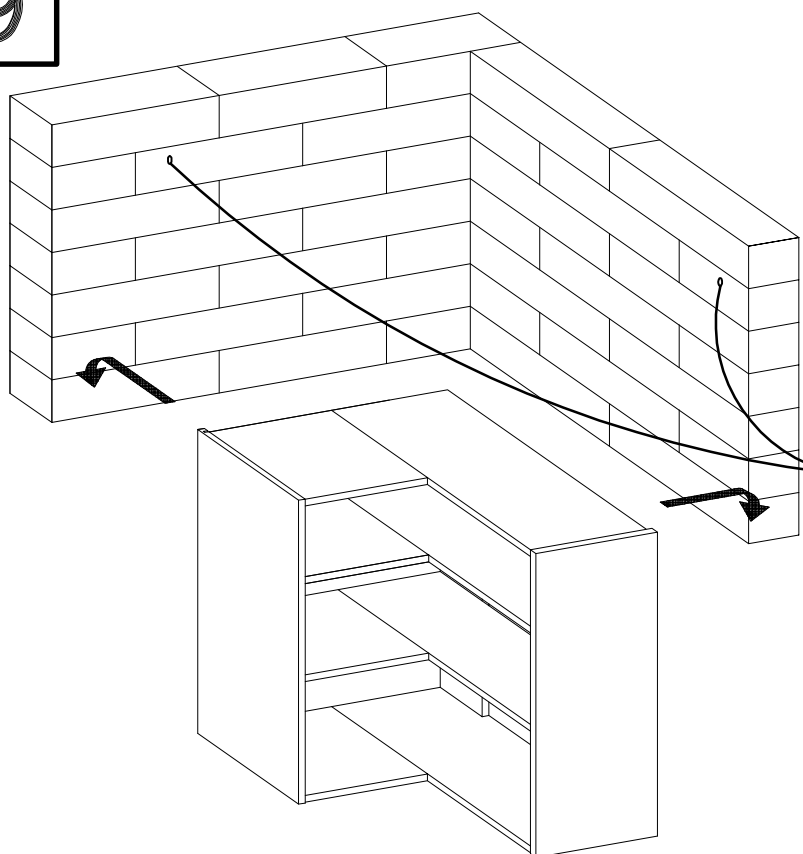


8

±3.0x16mm

 P11
 15



9



10

FRONT

